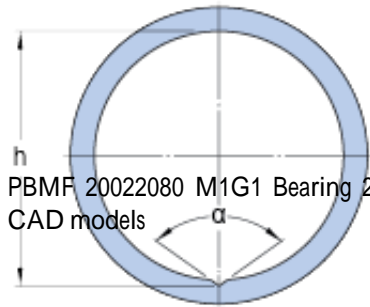
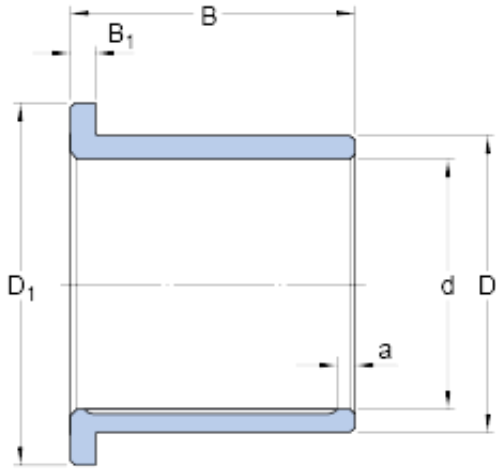




# NTN BEARING MANUFACTURING DE MEXICO,S...



PBMF 20022080 M1G1 Bearing 2D drawings and 3D CAD models

200 mm x 220 mm x 80 mm skf PBMF 20022080 M1G1 Plain bearings,Bushings

Bearing No. PBMF 20022080 M1G1

d	200 mm
D	220 mm
B	80 mm
D <sub>1</sub>	235 mm
B <sub>1</sub>	10 mm
a	4 mm
h	202.5 mm
	124 °
Tolerance shaft	e7
Tolerance housing	H7
Specific dynamic load factor K	25 N/mm <sup>2</sup>
Specific static load factor K <sub>0</sub>	45 N/mm <sup>2</sup>
Permissible sliding velocity v min.	0 m/s
Permissible sliding velocity v max.	0.5 m/s
Coefficient of friction μ min.	0.08
Coefficient of friction μ max.	0.15
Mass bushing	4.66 kg