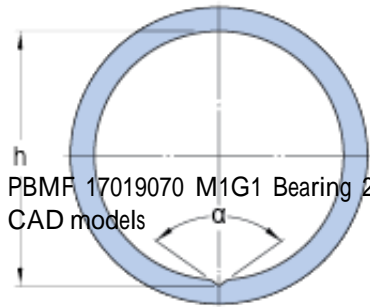
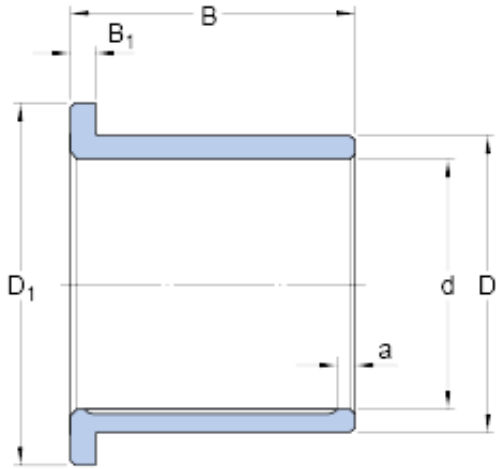




NTN BEARING MANUFACTURING DE MEXICO,S...



PBMF 17019070 M1G1 Bearing 2D drawings and 3D CAD models

170 mm x 190 mm x 70 mm skf PBMF 17019070
M1G1 Plain bearings,Bushings

Bearing No. PBMF 17019070 M1G1

d	170 mm
D	190 mm
B	70 mm
D ₁	205 mm
B ₁	10 mm
a	3.5 mm
h	172 mm
	124 °
Tolerance shaft	e7
Tolerance housing	H7
Specific dynamic load factor K	25 N/mm ²
Specific static load factor K ₀	45 N/mm ²
Permissible sliding velocity v min.	0 m/s
Permissible sliding velocity v max.	0.5 m/s
Coefficient of friction μ min.	0.08
Coefficient of friction μ max.	0.15
Mass bushing	3.9 kg