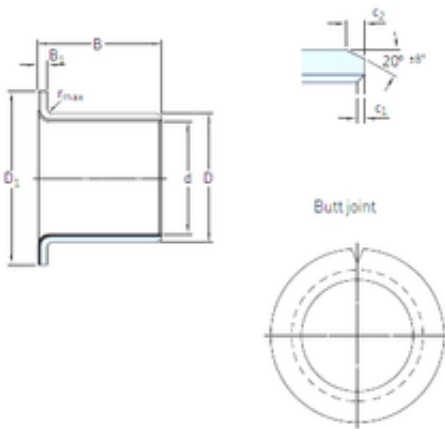




**18 mm x 20 mm x 12 mm skf PCMF 182012 E
Plain bearings,Bushings**



Bearing No. PCMF 182012 E

PCMF 182012 E Bearing 2D drawings and 3D CAD models

Size	18x20x12 mm
Bore Diameter	18 mm
Outer Diameter	20 mm
Width	12 mm
d	18 mm
D	20 mm
B	12 mm
c1 min	0,1 mm
c2 min	0,2 mm
r max	1 mm
B1	1 mm
D1	26 mm
Weight	0,0073 Kg
Dynamic load rating radial (C)	13,7 kN
Dynamic load rating axial (C)	9,3 kN
Static load rating radial (C0)	42,5 kN
Category	Plain Bearings
Inventory	0.0
Manufacturer Name	SKF
Minimum Buy Quantity	N/A
Weight / Kilogram	0.207
Product Group	B04264
D ₁	26 mm
B ₁	1 mm



NTN BEARING MANUFACTURING DE MEXICO,S...

c ₁ min.	0.1 mm
c ₁ max.	0.6 mm
c ₂ min.	0.2 mm
c ₂ max.	1 mm
± 8	20 °
r max.	1 mm
Tolerance shaft	f7
Tolerance housing	H7
Basic dynamic load rating - radial direction C	13.7 kN
Basic static load rating - radial direction C ₀	42.5 kN
Basic dynamic load rating - axial direction C _a	9.3 kN
Basic static load rating - axial direction C _{0a}	29 kN
Specific dynamic load factor K	80 N/mm ²
Specific static load factor K ₀	250 N/mm ²
Factor depending on material and bearing type K _M	480
Permissible sliding velocity v min.	0 m/s
Permissible sliding velocity v max.	2 m/s
Coefficient of friction μ min.	0.03
Coefficient of friction μ max.	0.25
Mass bushing	0.0073 kg