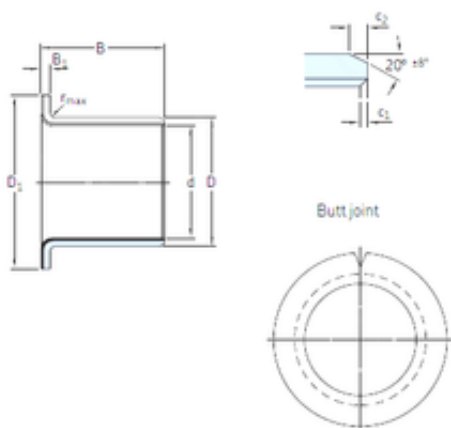




**16 mm x 18 mm x 12 mm skf PCMF 161812 E
Plain bearings,Bushings**



Bearing No. PCMF 161812 E

Size	16x18x12 mm
Bore Diameter	16 mm
Outer Diameter	18 mm
Width	12 mm
d	16 mm
D	18 mm
B	12 mm
c1 min	0,1 mm
c2 min	0,2 mm
r max	1 mm
B1	1 mm
D1	24 mm
Weight	0,0062 Kg
Dynamic load rating radial (C)	12,2 kN
Dynamic load rating axial (C)	8,5 kN
Static load rating radial (C0)	38 kN
D ₁	24 mm
B ₁	1 mm
c ₁ min.	0.1 mm
c ₁ max.	0.6 mm
c ₂ min.	0.2 mm
c ₂ max.	1 mm
± 8	20 °
r max.	1 mm

PCMF 161812 E Bearing 2D drawings and 3D CAD models



NTN BEARING MANUFACTURING DE MEXICO,S...

Tolerance shaft	f7
Tolerance housing	H7
Basic dynamic load rating - radial direction C	12.2 kN
Basic static load rating - radial direction C ₀	38 kN
Basic dynamic load rating - axial direction C _a	8.5 kN
Basic static load rating - axial direction C _{0a}	26.5 kN
Specific dynamic load factor K	80 N/mm ²
Specific static load factor K ₀	250 N/mm ²
Factor depending on material and bearing type K _M	480
Permissible sliding velocity v min.	0 m/s
Permissible sliding velocity v max.	2 m/s
Coefficient of friction μ min.	0.03
Coefficient of friction μ max.	0.25
Mass bushing	0.0062 kg